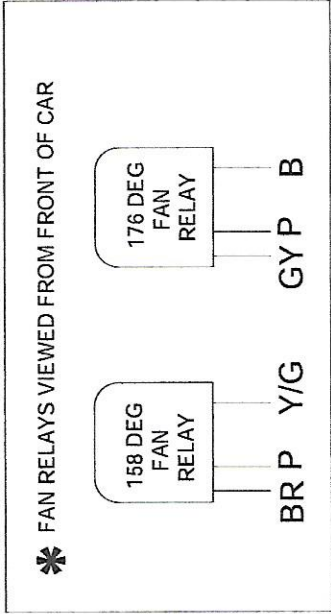


NOTE: WITH A 180 DEGREE F THERMOSTAT, BOTH FANS WILL RUN CONTINUOUSLY WHEN THE ENGINE IS AT THE MINIMUM NORMAL OPERATING TEMPERATURE.



SOBill@aol.com 16 Mar '02

* REVISED 6 AUGUST 2002

RADIATOR FANS, FAN RELAYS, AND THERMOSTATS (LATE)